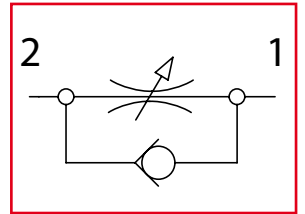




# STU-NPTF

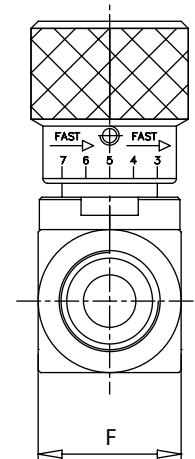
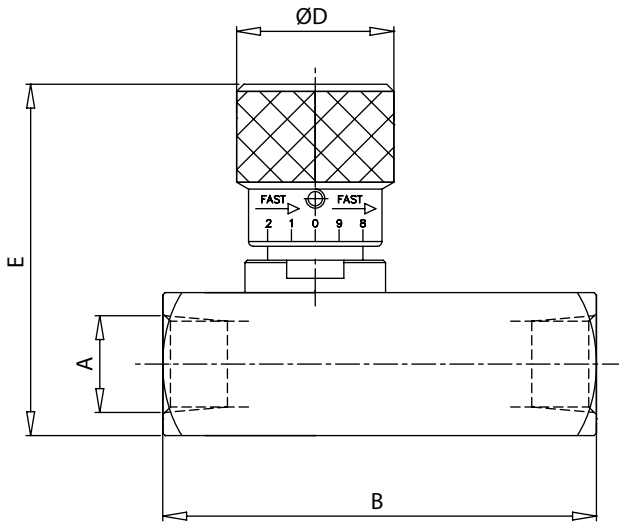
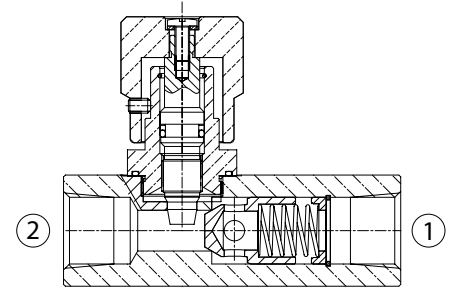
Valvole di controllo flusso unidirezionali  
Unidirectional flow control valves



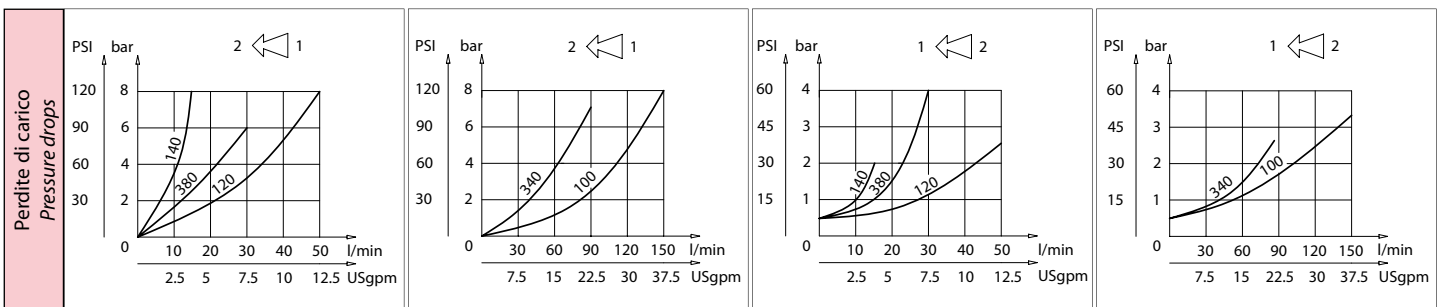
**LEHENGOMAK, S.p.A.**



Dati tecnici Technical data	
Viscosità fluido Fluid viscosity	10-500 mm <sup>2</sup> /s 45 to 2000 ssu (6 to 420 cSt)
Classe di contaminazione Filtration	ISO code 16/13 SAE class 4 or better
Temperatura fluido Fluid temperature	-20°C +80°C -4°F +176°F
Temperatura ambiente Ambient temperature	-20°C +50°C -4°F +122°F



mm  
(Inches)



Caratteristiche tecniche Technical performances								
Code Code	A	Portata Max Max flow l/min - USgpm	Pressione Max Max pressure bar/PSI	B	D	E	F	Peso approssimativo Approx weight Kg / lb
STU140NPTF	NPTF 1/4	15 (4)	400 (5800)	66 (2.60)	30 (1.18)	68 (2.68)	25 (0.98)	0,37 (0.75)
STU380NPTF	NPTF 3/8	30 (8)		77 (3.03)				0,38 (0.84)
STU120NPTF	NPTF 1/2	50 (13)		91 (3.58)	33 (1.30)	72 (2.83)	30 (1.18)	0,60 (1.32)
STU340NPTF	NPTF 3/4	80 (21)		112,5 (4.43)	42 (1.65)	94 (3.70)	40 (1.57)	1,40 (3.09)
STU100NPTF	NPTF 1	150 (40)		141 (5.55)				

Codice ordinazione Ordering code	
<b>STU-X-NPTF</b>	
<b>X</b>	Dimensione / Size
140	NPTF 1/4
380	NPTF 3/8
120	NPTF 1/2
340	NPTF 3/4
100	NPTF 1